

Space Shuttle Orbiter Discovery 0V-103

When the first space shuttle (Columbia) was launched on April 12 1981, it was the beginning of a new era in American space travel. Rather than a one shot vehicle, the Shuttle was the first reusable spacecraft designed to go up like a rocket and land like an airplane. The fleet of four shuttles includes Columbia, Atlantis, Discovery and Endeavor. Of these, the most recent is the Endeavor which was built as a replacement for the lost Challenger shuttle.

Some Shuttle facts:

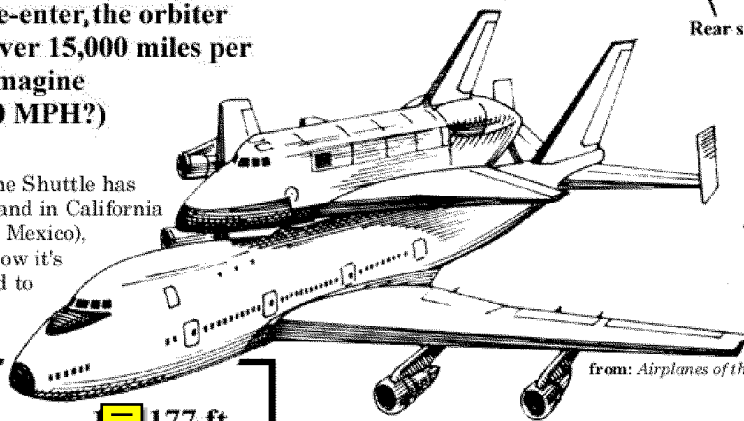
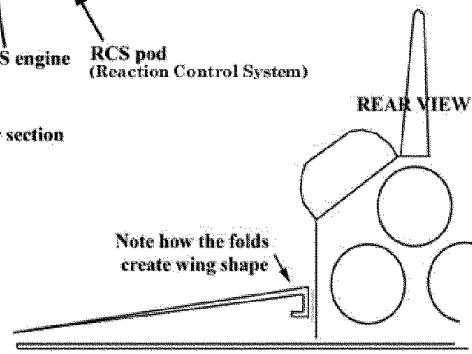
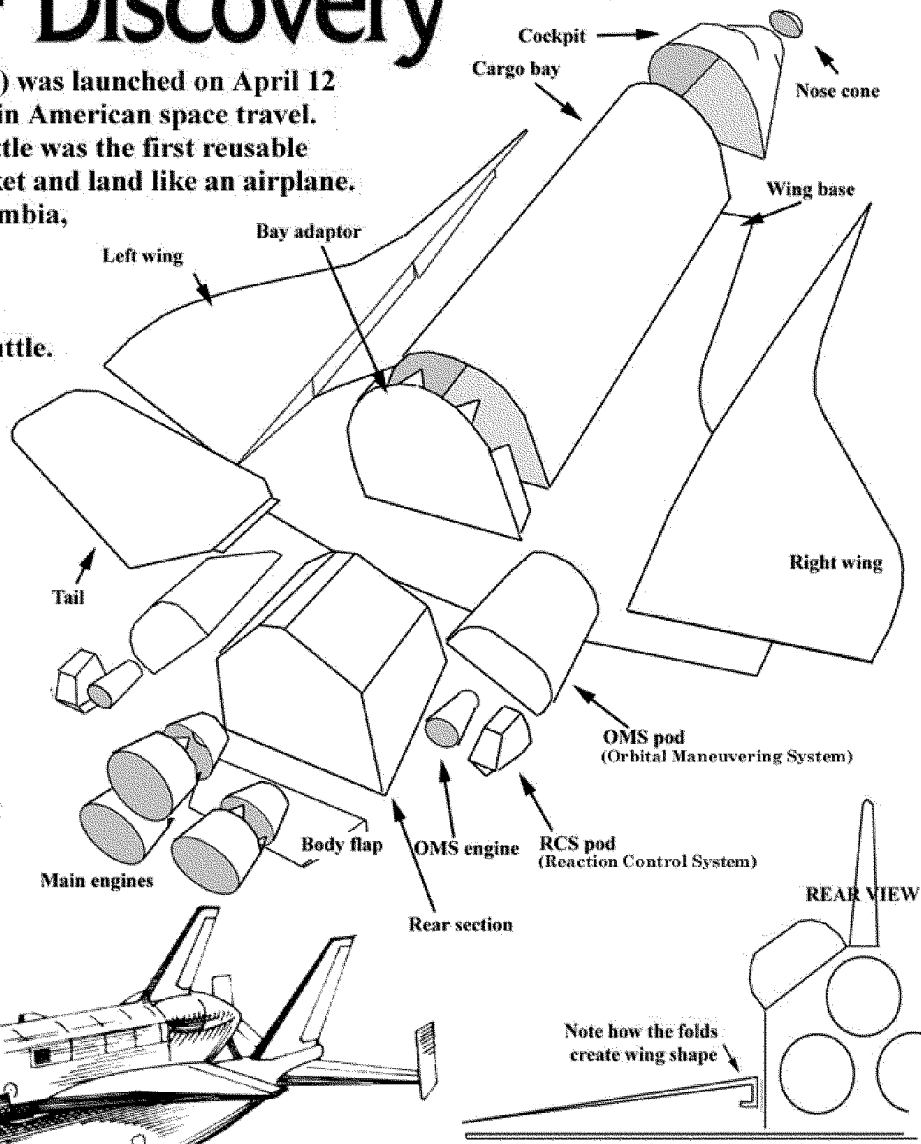
On re-entry to Earth's atmosphere the orbiter has a surface temperature above 1370 degrees C.

Each one of the orbiters is designed to last about 100 missions each.

The Space shuttle's engines provide 165,000 pounds of thrust each. A fully loaded Boeing 737 only weighs 130,000 pounds so one of the orbiters engines could shoot the 737 straight up indefinitely.

When ready to re-enter, the orbiter slows to a little over 15,000 miles per hour. (can you imagine slowing to 15,000 MPH?)

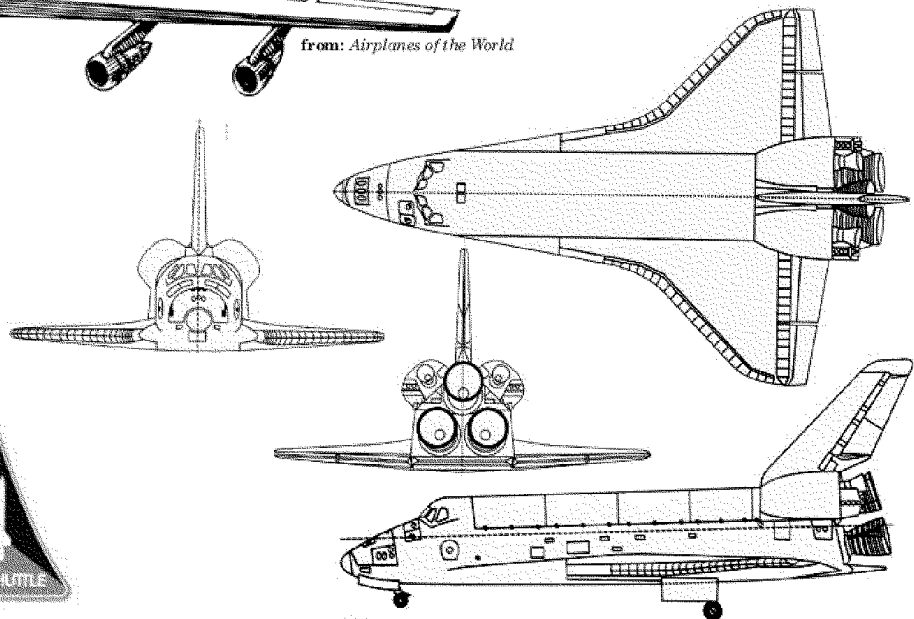
When the Shuttle has had to land in California (or New Mexico), this is how it's returned to Florida



from: *Airplanes of the World*

Statistics:

Length	177 ft
Height	56.67 ft
Wingspan	78.06
Weight	230,000 lbs
Cargo bay length	60 ft
Cargo bay width	15 ft



©Dan Reno Shippey- Delta 7 Studios in conjunction with Fiddlers Green

